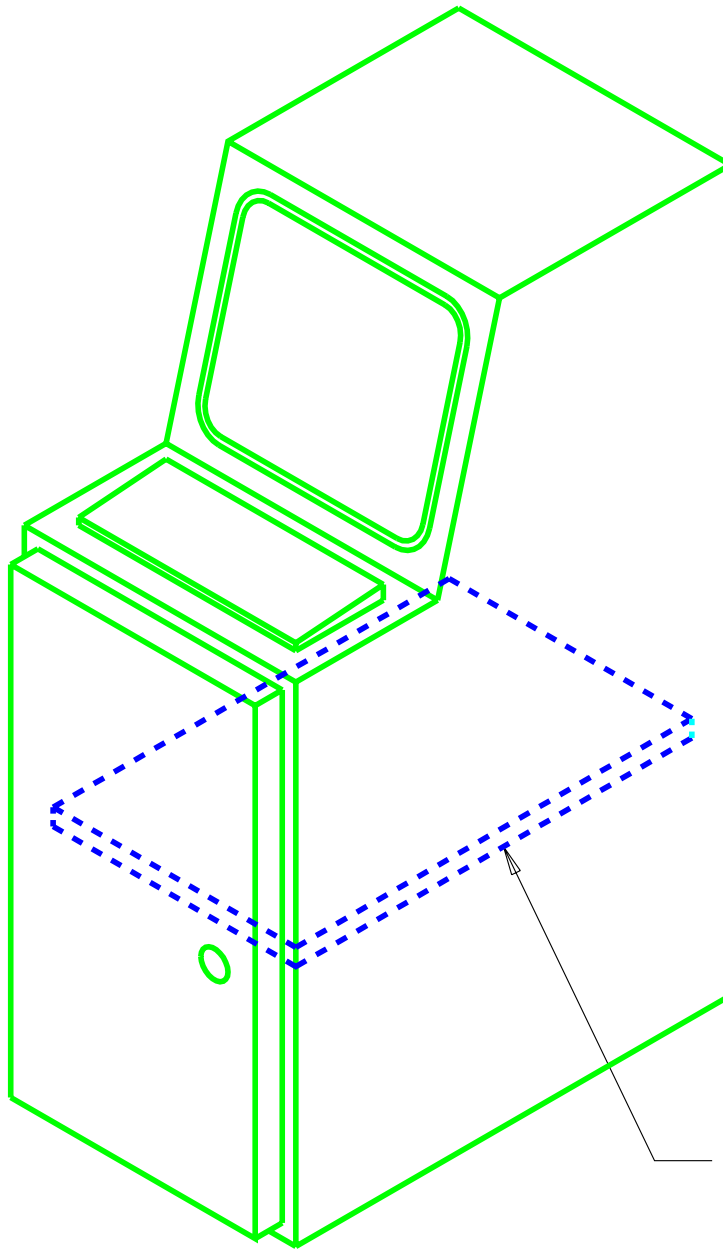


MINICONSOLE



TELESCOPIC SHELF
FOR PRINTER OPTION

SIZE: 20" X 32" X 53" HIGH
(508 X 815 X 1345mm)

ENCLOSURE FOR SUPERVISORY COMPUTER,
MONITOR AND OPTIONAL PRINTER

DWG. NO.

A-21581-A

SHELL-O-MATIC