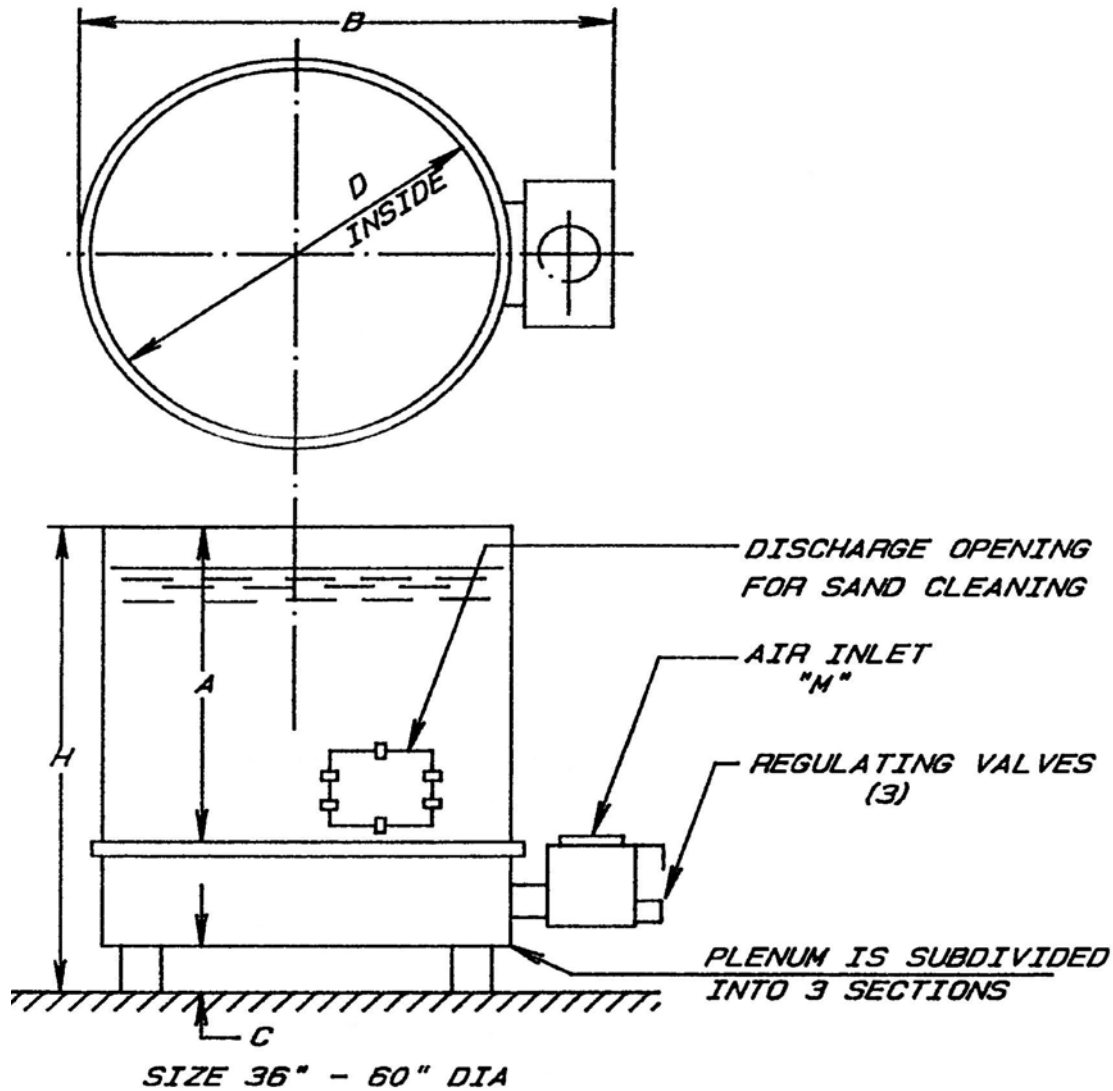


# FLUIDIZED BEDS



D	H	A	M	B	C
36" 915mm	40" 1020mm	32" 815mm	4" 4"	50.25" 1275mm	-
40" 1015mm	44" 1120mm	32" 815mm	4" 4"	54.5" 1385mm	4.5" 115mm
45" 1145mm	44" 1120mm	32" 815mm	5" 5"	59.5" 1510mm	4.5" 115mm
50" 1270mm	51" 1295mm	37" 940mm	6" (8") 6" (8")	68.5" 1740mm	6.5" 165mm
53" 1350mm	51" 1295mm	37" 940mm	6" (8") 6" (8")	71.5" 1815mm	6.5" 165mm
60" 1525mm	51" 1295mm	37" 940mm	6" (8") 6" (8")	78.5" 1995mm	6.5" 165mm

**SHELL-O-MATIC**

10600 Ste Gertrude Blvd., Montreal North, Quebec H1G 5N4 Canada

Tel: +514 323-0868

Email: [info@shellomatic.com](mailto:info@shellomatic.com)

Fax: +514 329-3672

Website: [www.shellomatic.com](http://www.shellomatic.com)